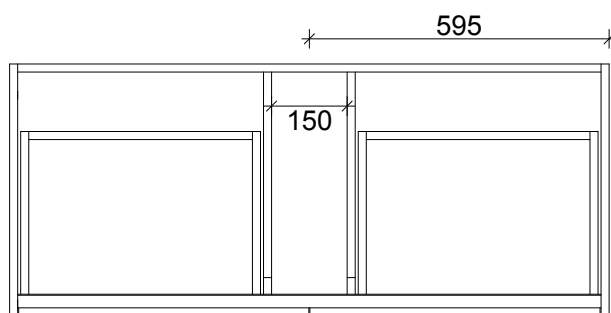
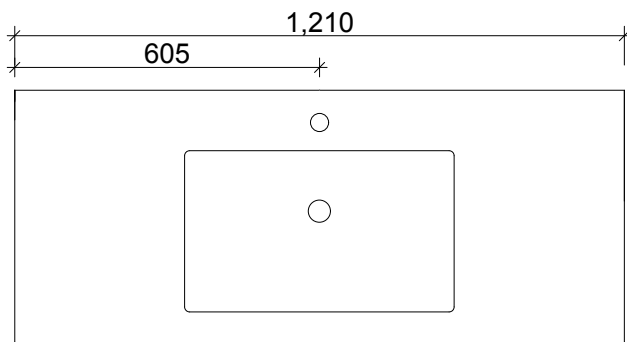
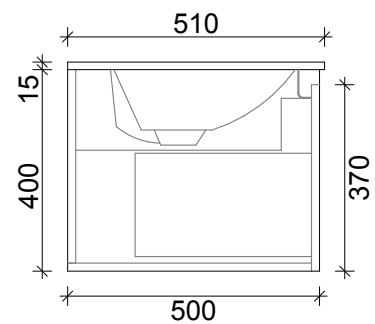
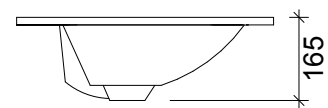
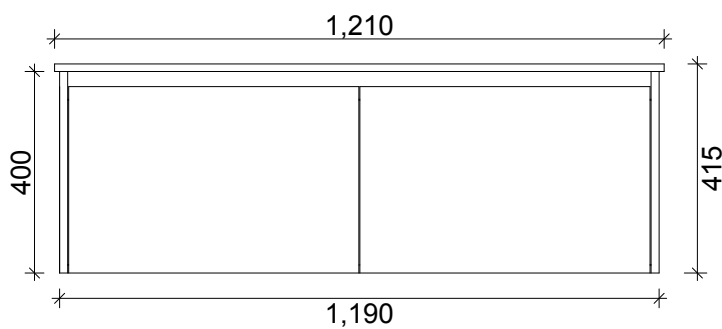


# SPECIFICATION SHEET

AMBRE 1200 2 DRAW SINGLE BASIN SIDE BY SIDE  
WALL HUNG CAPRI J HANDLES



CABINET TOP VIEW



**PRIMO BATHROOMWARE**

3 EDISON PLACE

(03) 384-2471

EMAIL: [sales@primobathroomware.co.nz](mailto:sales@primobathroomware.co.nz)