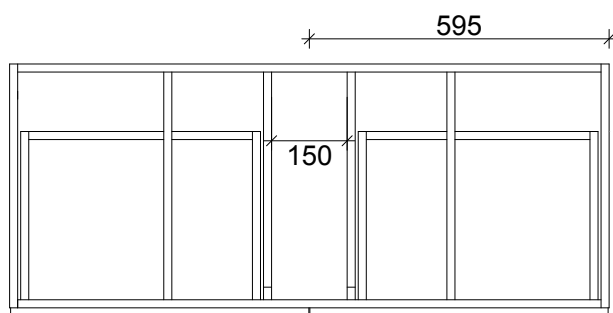
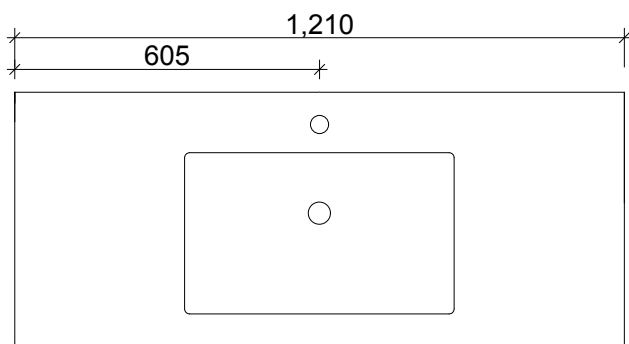
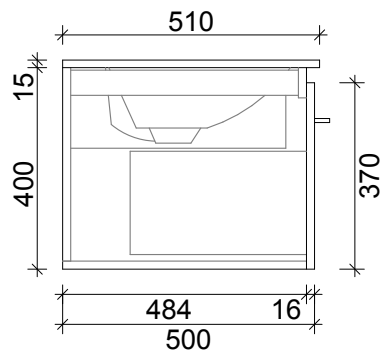
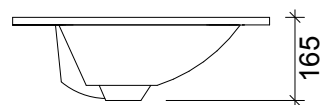
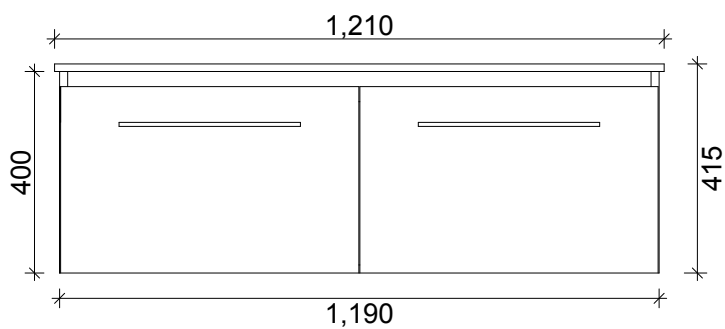


SPECIFICATION SHEET

AMBRE 1200 2 DRAW SINGLE BASIN SIDE BY SIDE
WALL HUNG



CABINET TOP VIEW



PRIMO BATHROOMWARE

3 EDISON PLACE

(03) 384-2471

EMAIL: sales@primobathroomware.co.nz