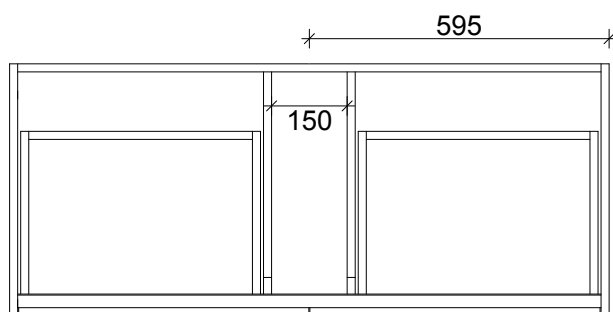
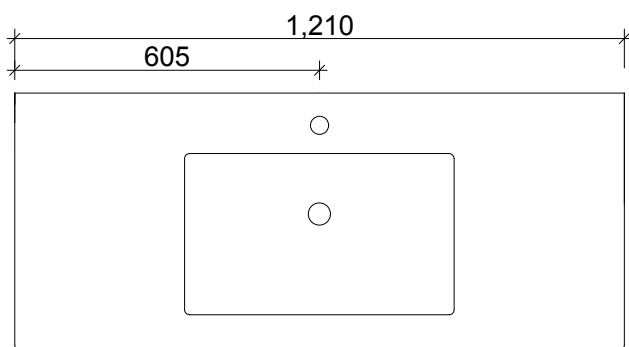
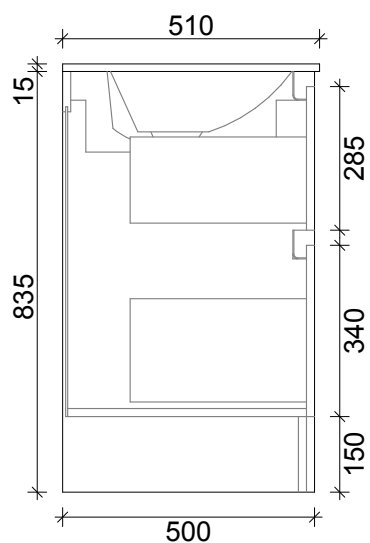
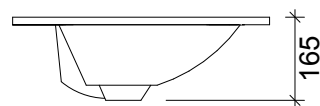
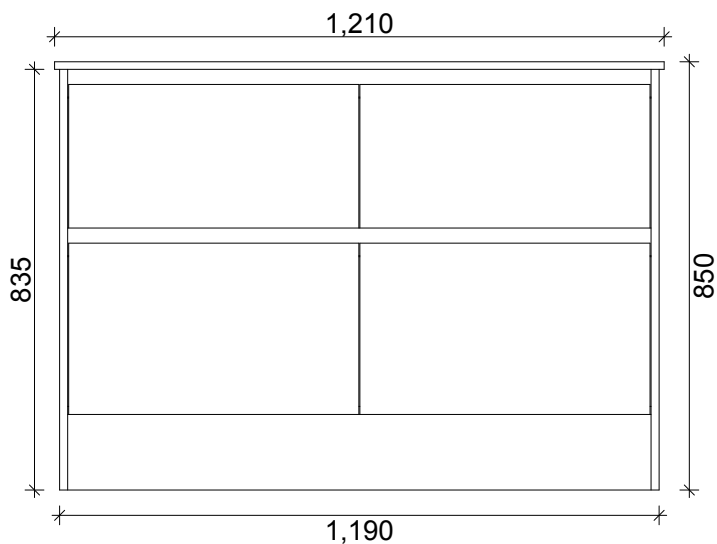


SPECIFICATION SHEET

AMBRE 1200 4 DRAW SINGLE BASIN FLOOR STANDING
CAPRI J HANDLES



CABINET TOP VIEW



PRIMO BATHROOMWARE

3 EDISON PLACE

(03) 384-2471

EMAIL: sales@primobathroomware.co.nz