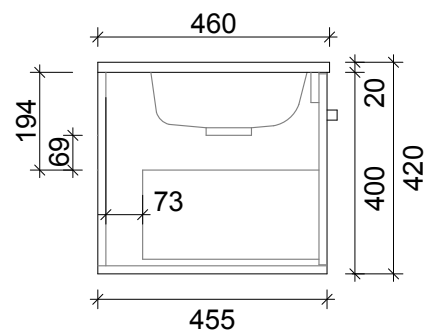
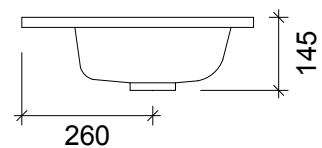
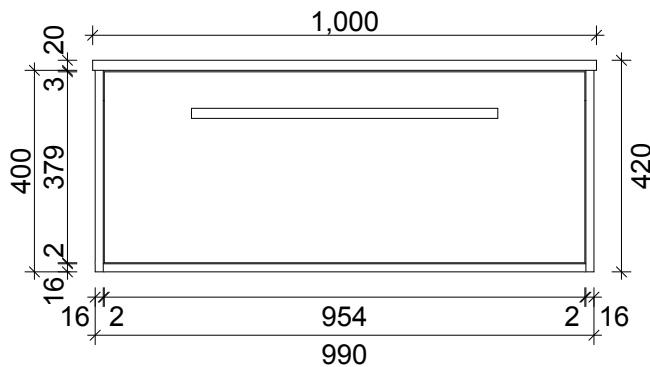
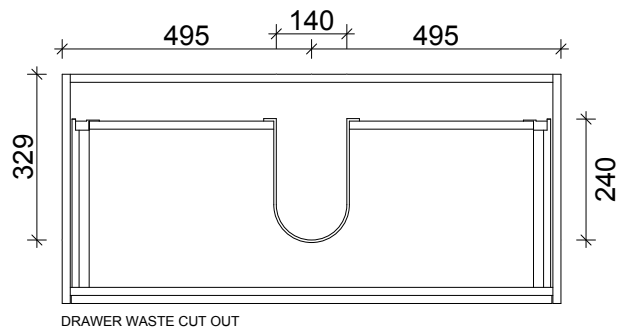
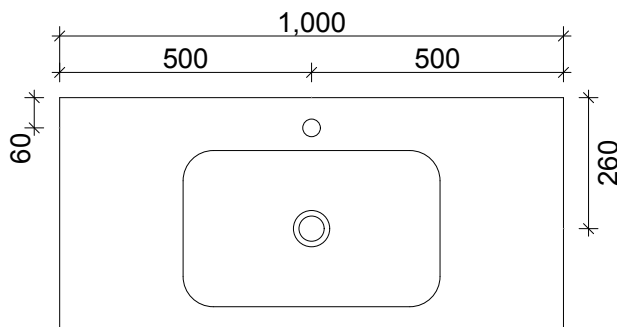


SPECIFICATION SHEET
ARCO 1000 1 DRAW WALL HUNG



PRIMO BATHROOMWARE
 3 EDISON PLACE
 (03) 384-2471
 EMAIL: sales@primobathroomware.co.nz