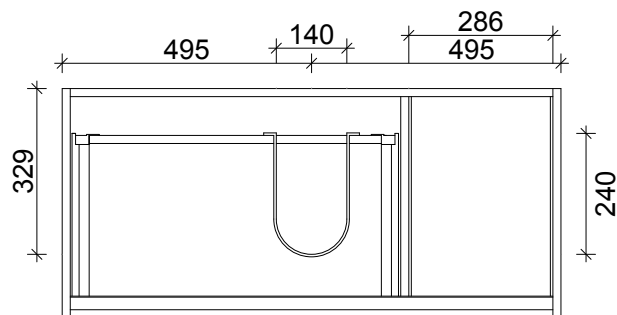
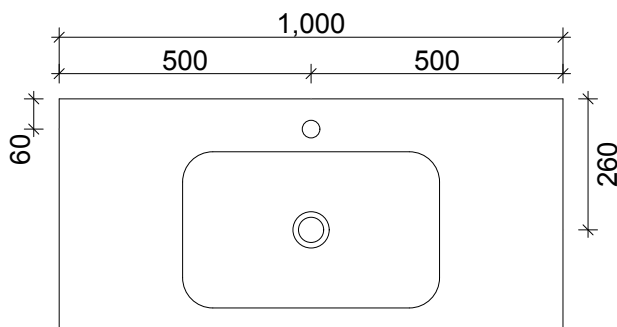
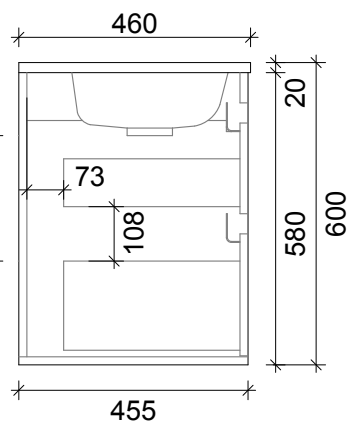
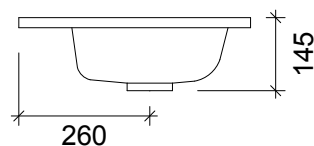
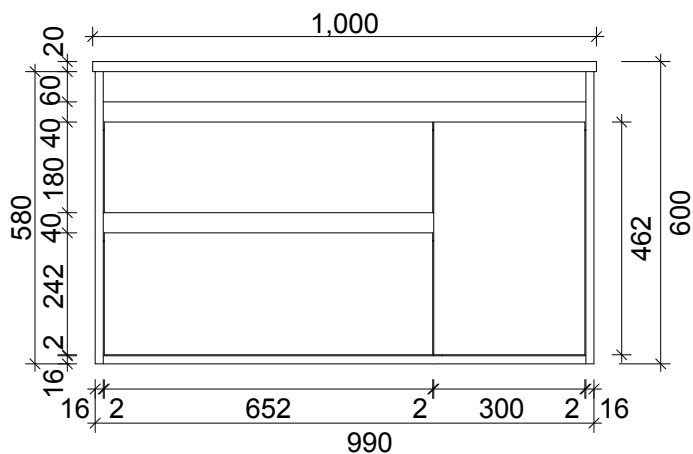


SPECIFICATION SHEET
ARCO 1000 2 DRAW 1 DOOR RH WALL HUNG
CAPRI J HANDLES



DRAWER WASTE CUT OUT



PRIMO BATHROOMWARE
 3 EDISON PLACE
 (03) 384-2471
 EMAIL: sales@primobathroomware.co.nz