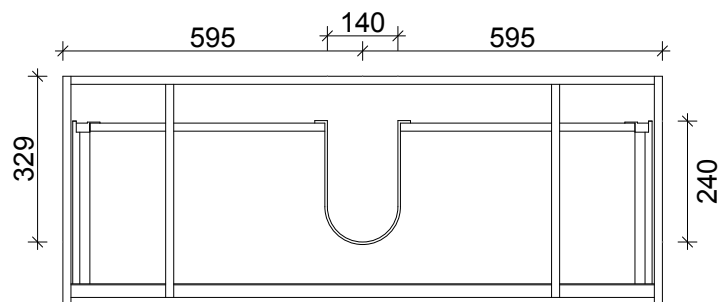
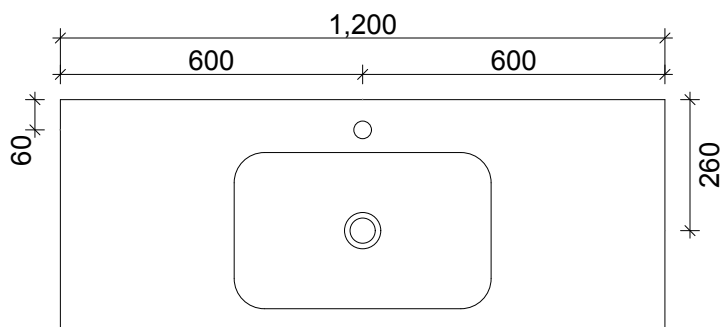
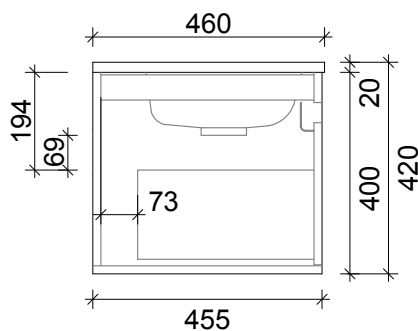
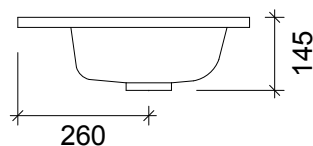
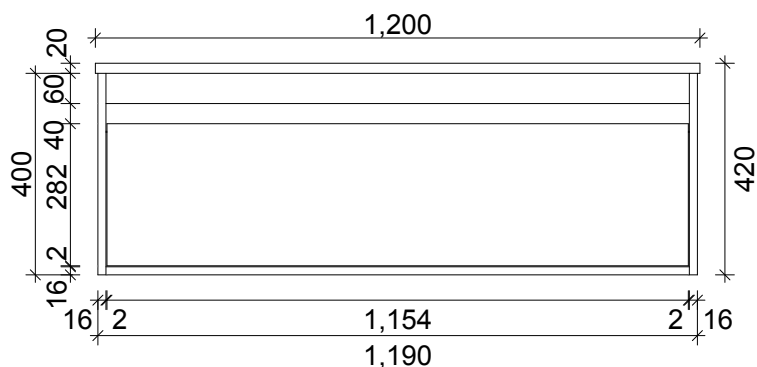


**SPECIFICATION SHEET**  
**ARCO 1200 1 DRAW WALL HUNG CAPRI J HANDLE**



DRAWER WASTE CUT OUT



**PRIMO BATHROOMWARE**  
 3 EDISON PLACE  
 (03) 384-2471  
 EMAIL: sales@primobathroomware.co.nz