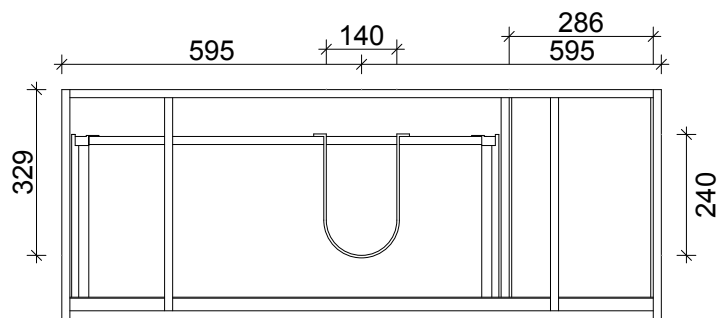
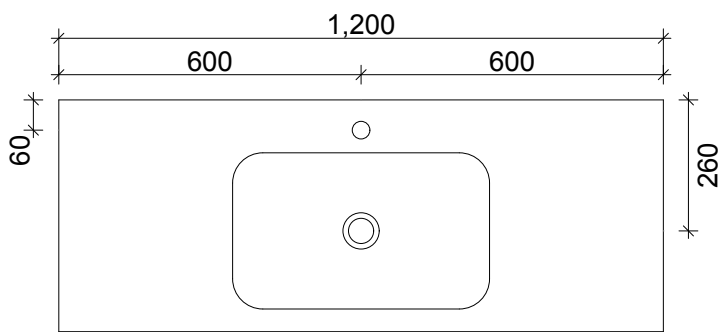
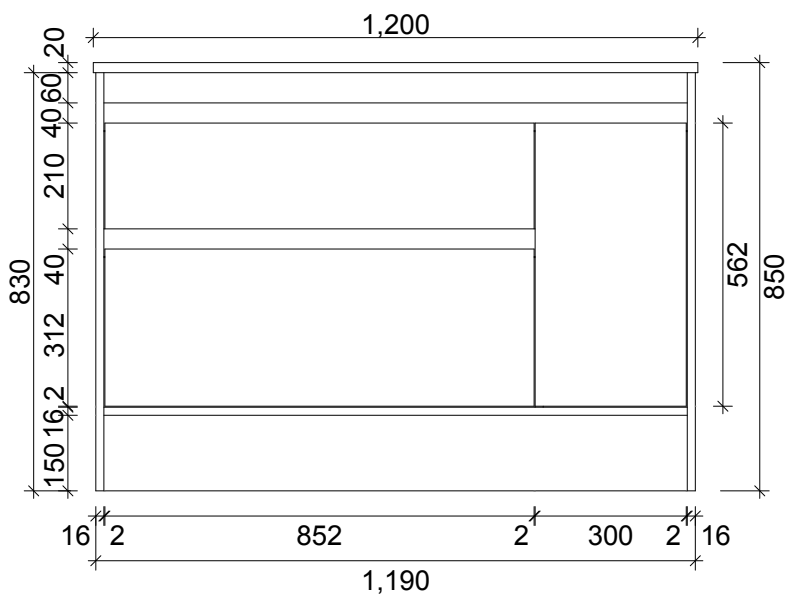
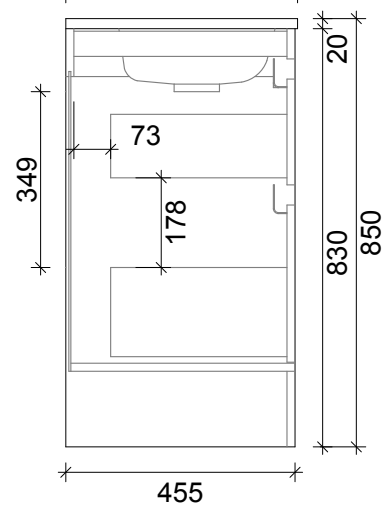
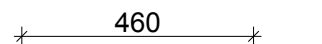
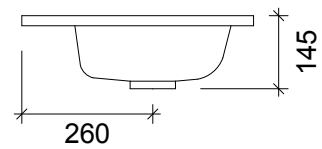


# SPECIFICATION SHEET

ARCO 1200 2 DRAW 1 DOOR RH FLOOR STANDING  
CAPRI J HANDLES



DRAWER WASTE CUT OUT



**PRIMO BATHROOMWARE**

3 EDISON PLACE

(03) 384-2471

EMAIL: sales@primobathroomware.co.nz