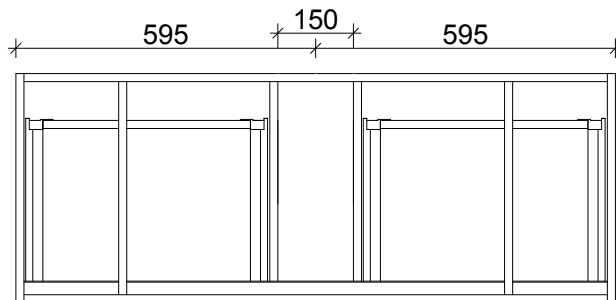
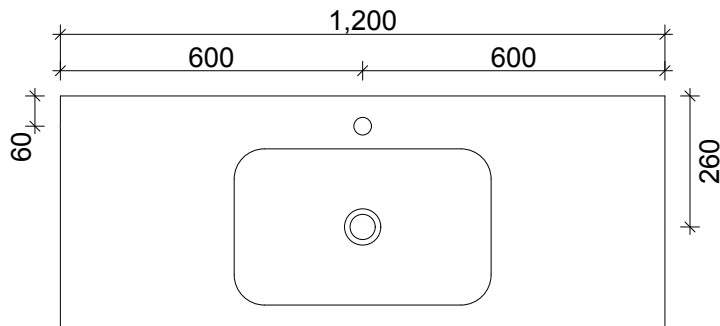
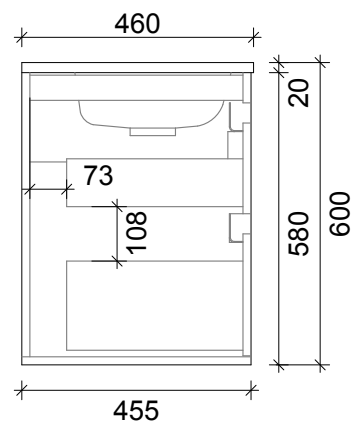
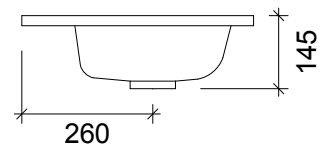
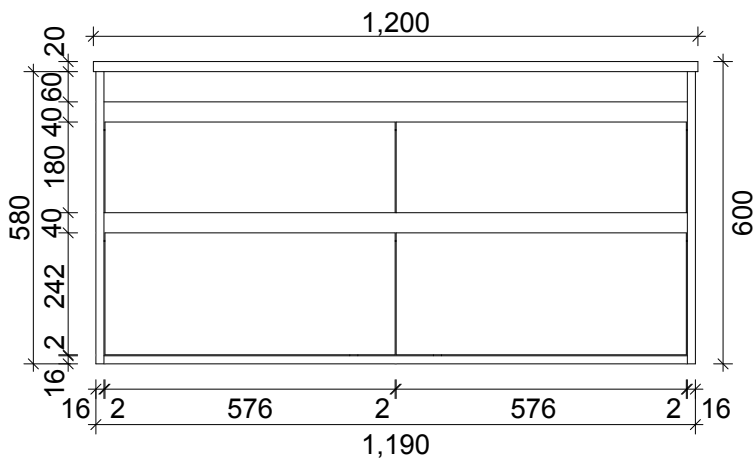


SPECIFICATION SHEET

ARCO 1200 4 DRAW SINGLE BASIN WALL HUNG
CAPRI J HANDLES



TOP VIEW OF CABINET



PRIMO BATHROOMWARE

3 EDISON PLACE

(03) 384-2471

EMAIL: sales@primobathroomware.co.nz