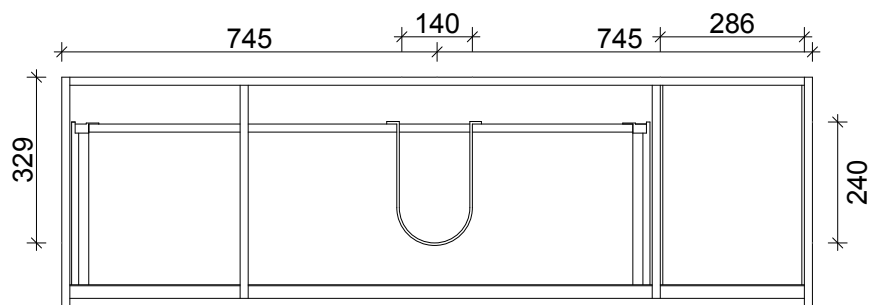
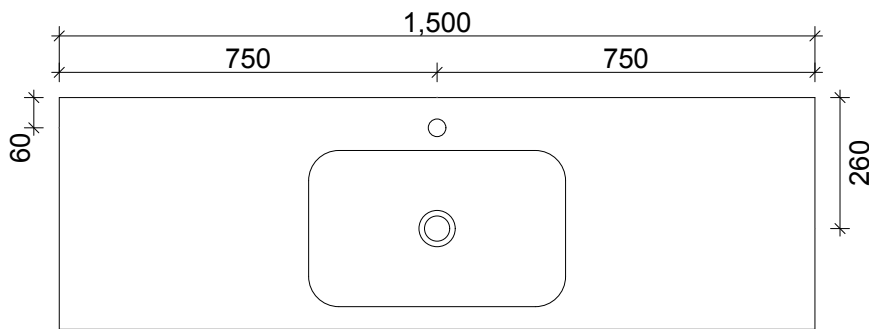
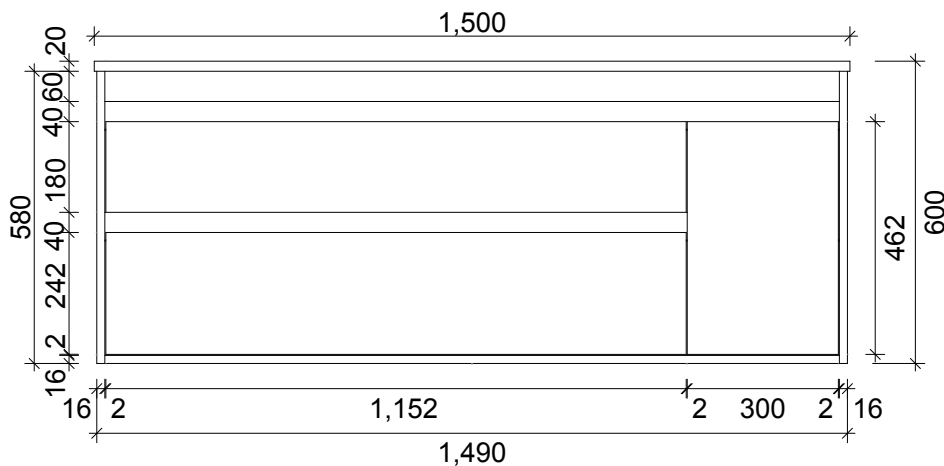
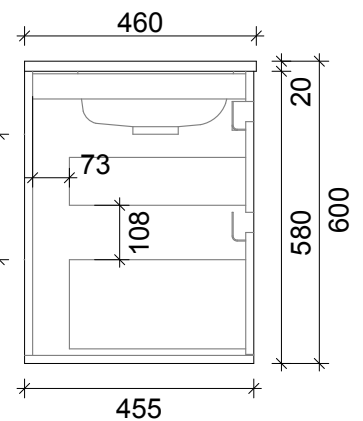
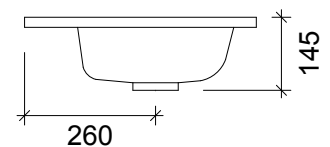


SPECIFICATION SHEET

ARCO 1500 2 DRAW 1 DOOR RH SINGLE BASIN
WALL HUNG CAPRI J HANDLES



DRAWER WASTE CUT OUT



PRIMO BATHROOMWARE

3 EDISON PLACE

(03) 384-2471

EMAIL: sales@primobathroomware.co.nz