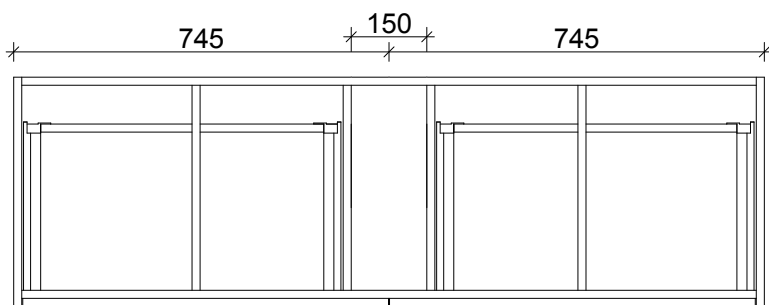
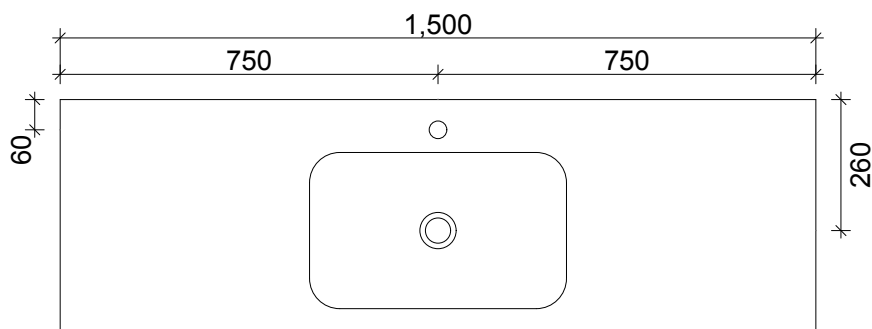
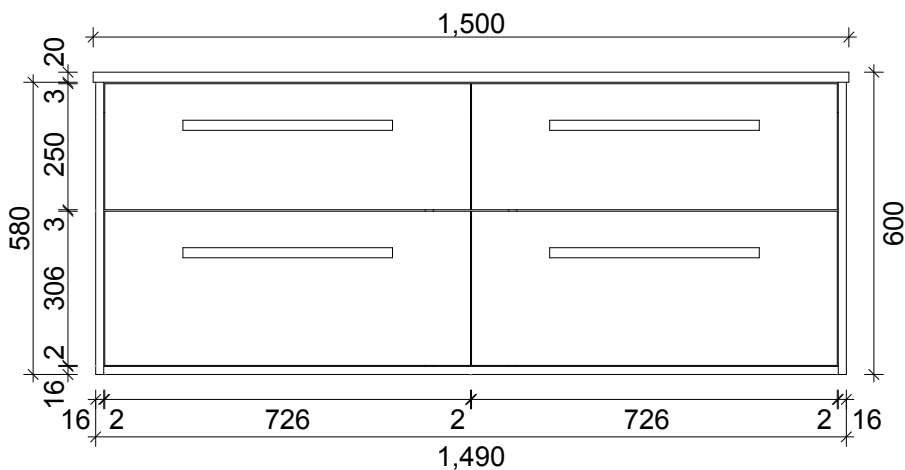
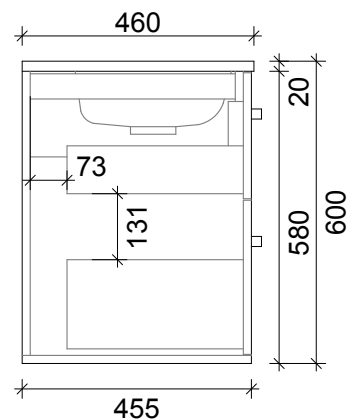
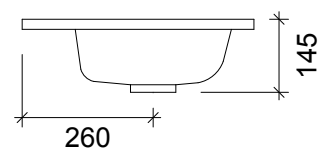


SPECIFICATION SHEET
ARCO 1500 4 DRAW SINGLE BASIN WALL HUNG



TOP VIEW OF CABINET



PRIMO BATHROOMWARE
 3 EDISON PLACE
 (03) 384-2471
 EMAIL: sales@primobathroomware.co.nz