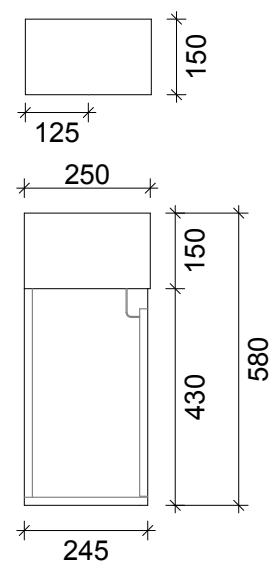
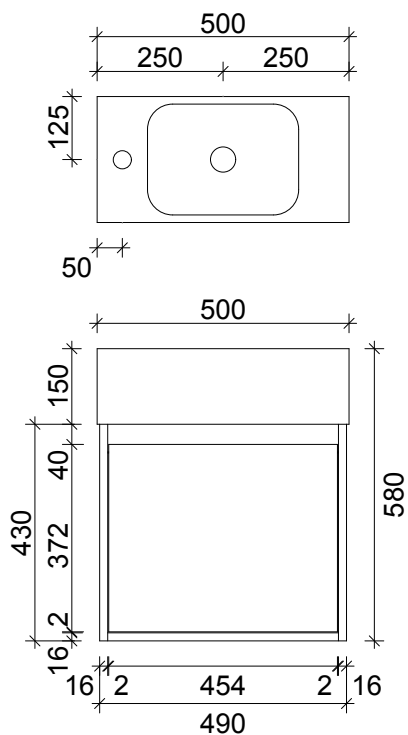


**SPECIFICATION SHEET**  
ARCO 500 1 DOOR WALL HUNG CAPRI J HANDLE



**PRIMO BATHROOMWARE**  
3 EDISON PLACE  
(03) 384-2471  
EMAIL: [sales@primobathroomware.co.nz](mailto:sales@primobathroomware.co.nz)