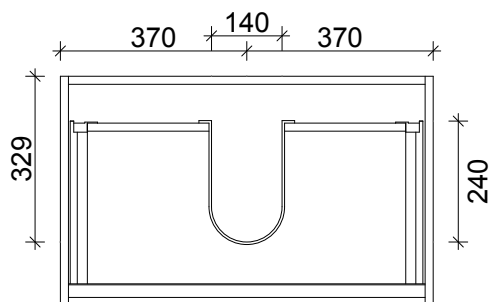
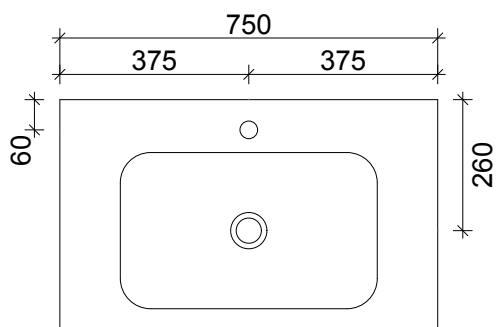
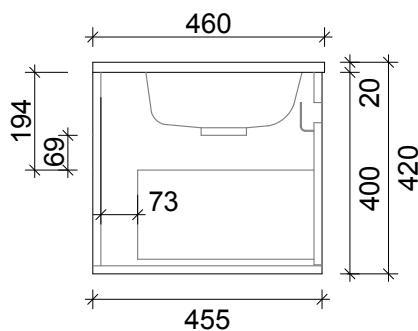
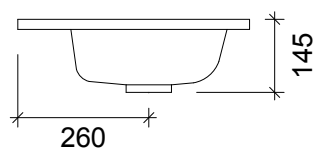
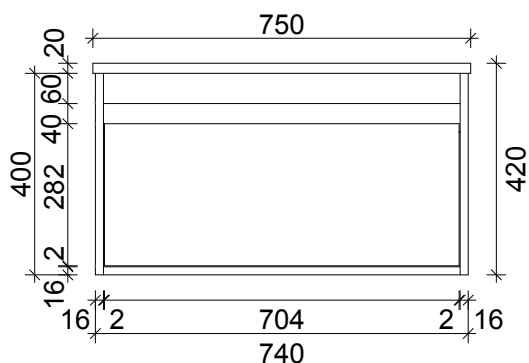


**SPECIFICATION SHEET**  
ARCO 750 1 DRAW WALL HUNG CAPRI J HANDLE



DRAWER WASTE CUT OUT



**PRIMO BATHROOMWARE**  
3 EDISON PLACE  
(03) 384-2471  
EMAIL: [sales@primobathroomware.co.nz](mailto:sales@primobathroomware.co.nz)