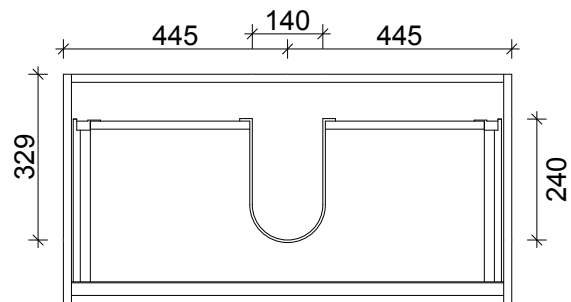
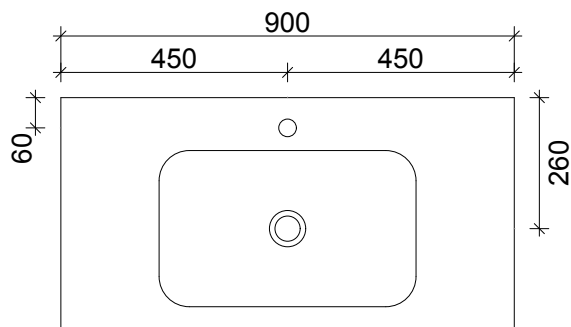
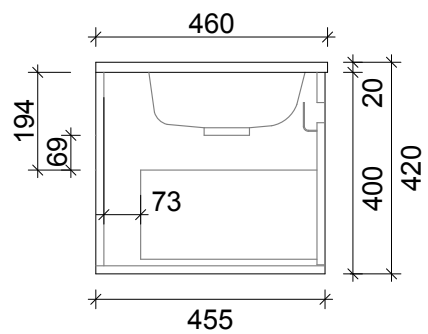
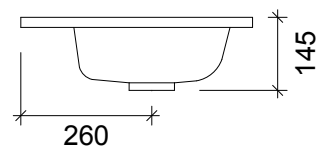
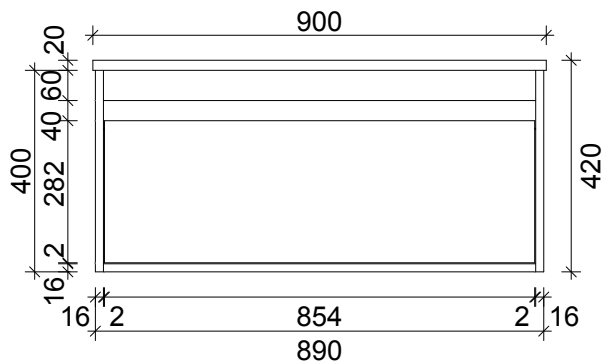


SPECIFICATION SHEET
ARCO 900 1 DRAW WALL HUNG CAPRI J HANDLE



DRAWER WASTE CUT OUT



PRIMO BATHROOMWARE
 3 EDISON PLACE
 (03) 384-2471
 EMAIL: sales@primobathroomware.co.nz