

DRAWER ADJUSTMENT AND REMOVAL INSTRUCTIONS

Standard drawers



Fig. 1



Fig. 2

Slide on installation

The drawer is fitted horizontally on the runners and pushed into place. The catch automatically locks the drawer onto the runner for a secure fit. Fig. 1

Unlatching the drawer and removing it from the runners is just as easy. When a defined force is exceeded, the drawer is released without using the catches. This rules out any negative consequences of incorrect removal by end users. Fig. 2

The height adjustment facility integrated in the catch produces perfect front panel alignment – without the need for tools of course.

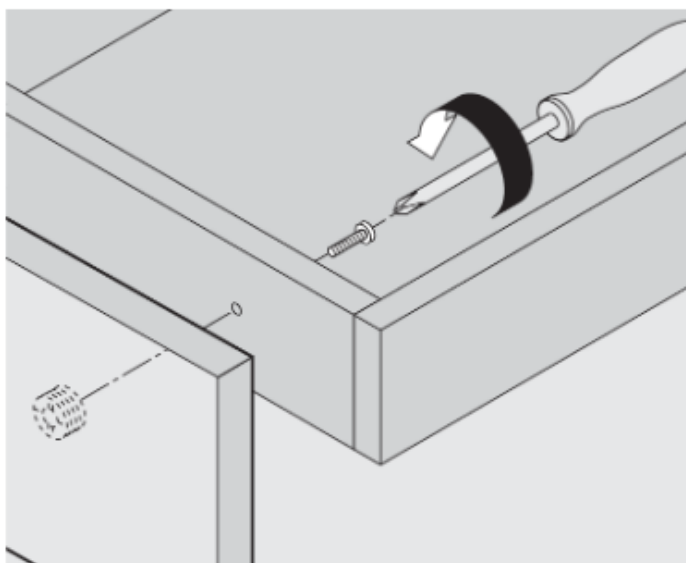


Fig. 3

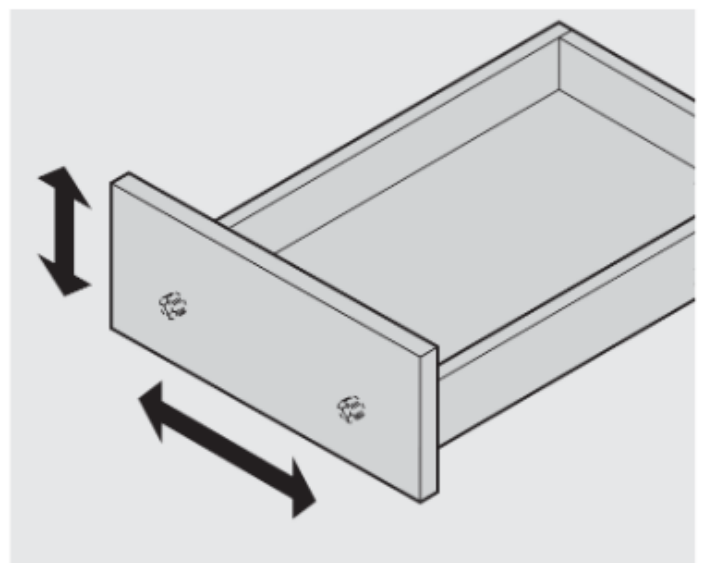


Fig. 4

For any further side to side or height adjustment required slightly loosen the 2 or 3 silver screws on the front panel inside the drawer, Fig. 3. Push the drawer front to the location required and tighten the screws, Fig. 4.