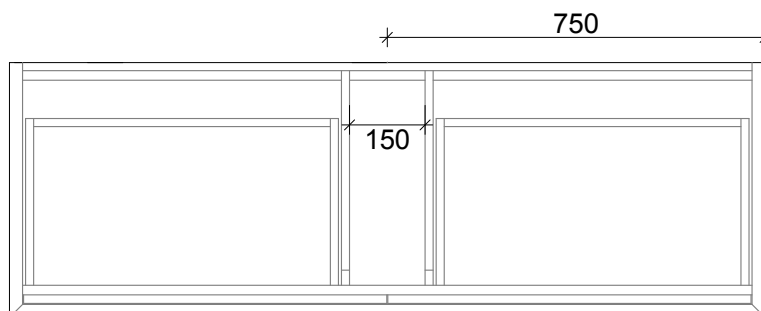
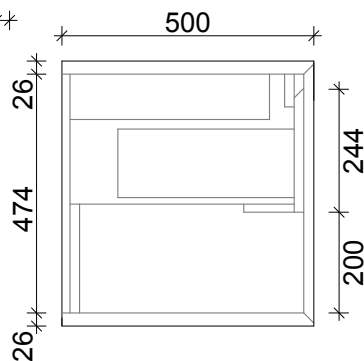
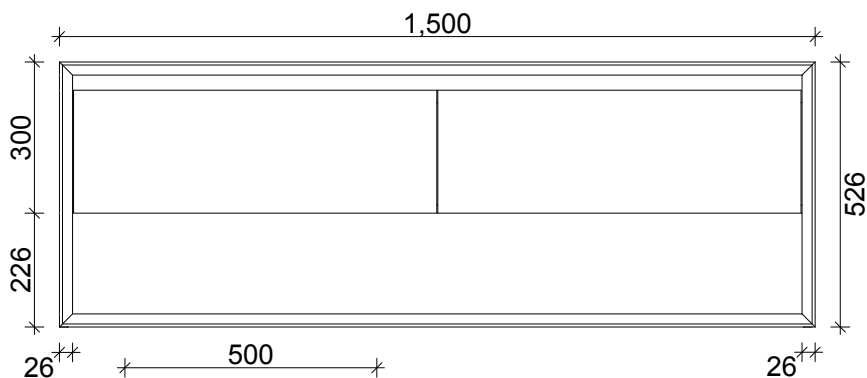


SPECIFICATION SHEET

EDGE 1500 2 DRAW SINGLE BASIN OPEN SHELF
WALL HUNG



CABINET TOP VIEW



PRIMO BATHROOMWARE

3 EDISON PLACE

(03) 384-2471

EMAIL: sales@primobathroomware.co.nz