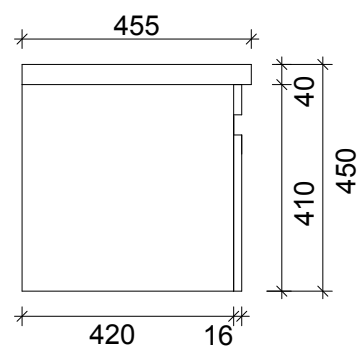
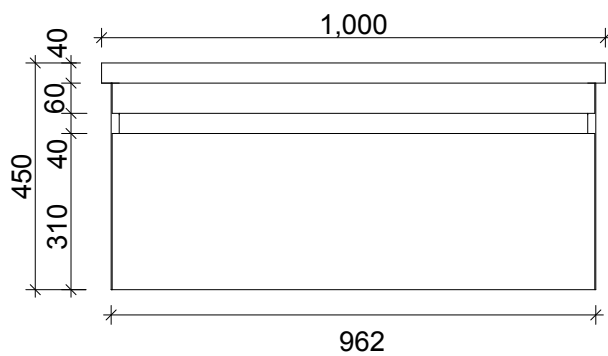


**SPECIFICATION SHEET**  
**FLO 1000 1 DRAW CABINET CAPRI J HANDLE**

**Primo** ● ●  
Bathroom collection



**PRIMO BATHROOM COLLECTION**

3 EDISON PLACE  
(03) 384-2471  
EMAIL: primo.bath@gmail.com