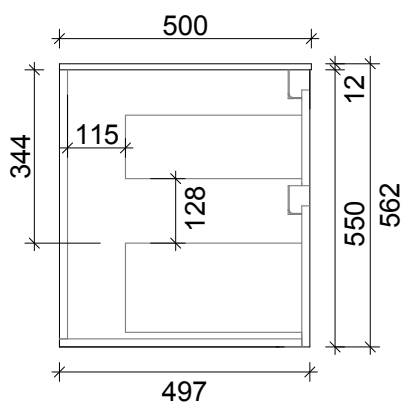
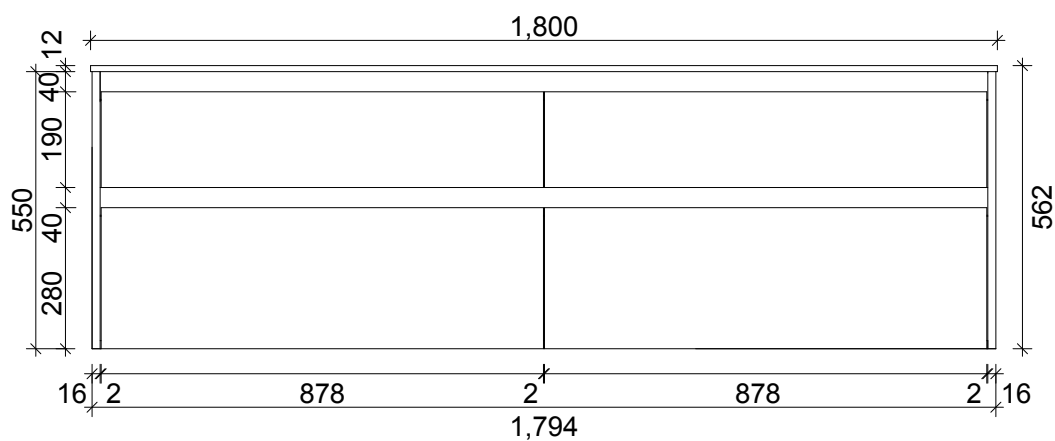
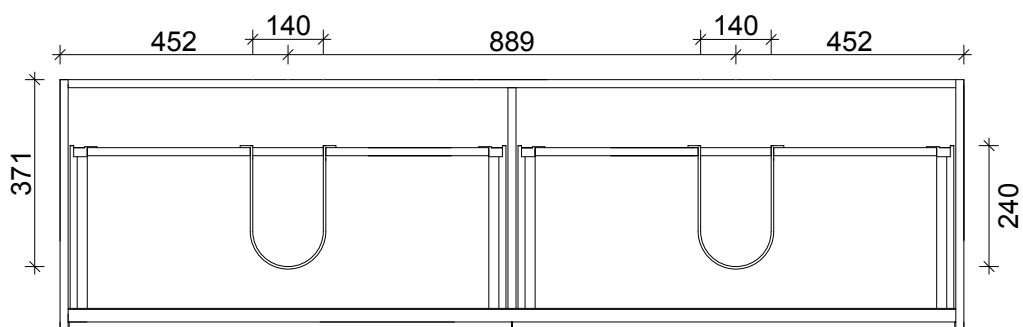


SPECIFICATION SHEET

LARGO 1800 4 DRAW WALL HUNG CAPRI J HANDLES



PRIMO BATHROOMWARE
3 EDISON PLACE
(03) 384-2471
EMAIL: sales@primobathroomware.co.nz