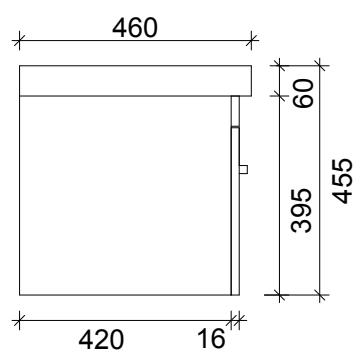
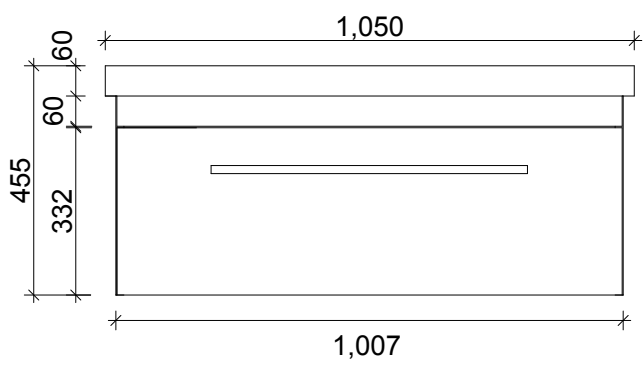


**SPECIFICATION SHEET**

**LUSSO 1050 1 DRAW CABINET**



**PRIMO BATHROOM COLLECTION**

3 EDISON PLACE  
(03) 384-2471  
EMAIL: primo.bath@gmail.com