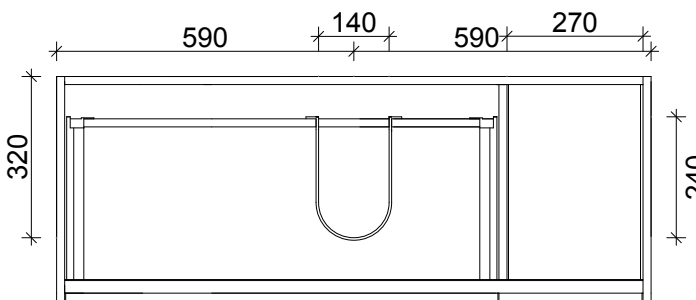
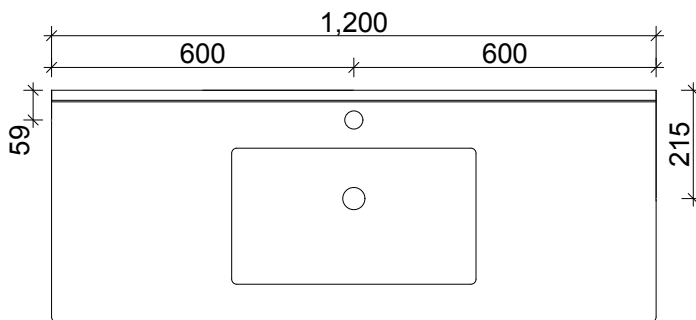
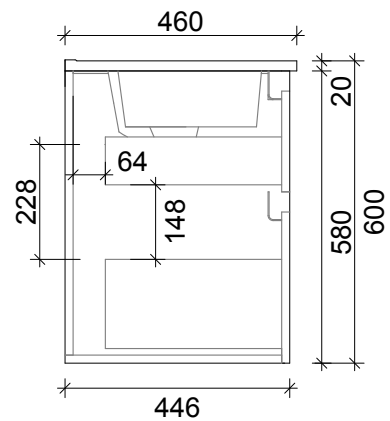
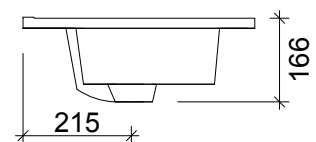
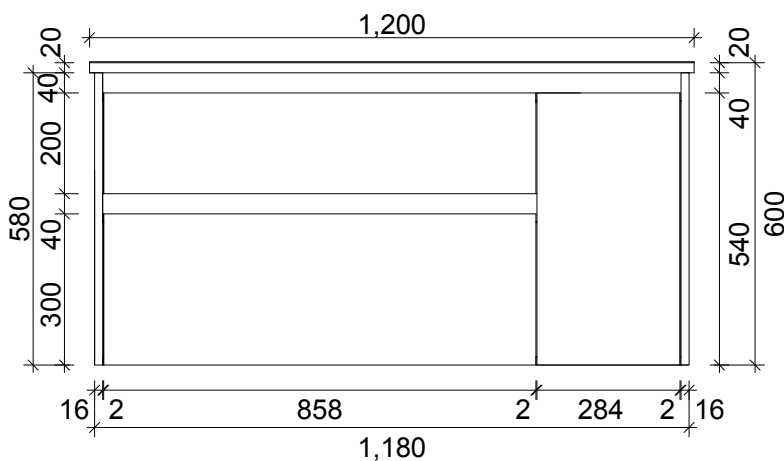


# SPECIFICATION SHEET

PINTO 1200 2 DRAW 1 DOOR WALL HUNG RIGHT HAND  
CAPRI J HANDLES



DRAWER WASTE CUT OUT



**PRIMO BATHROOMWARE**

3 EDISON PLACE

(03) 384-2471

EMAIL: [sales@primobathroomware.co.nz](mailto:sales@primobathroomware.co.nz)