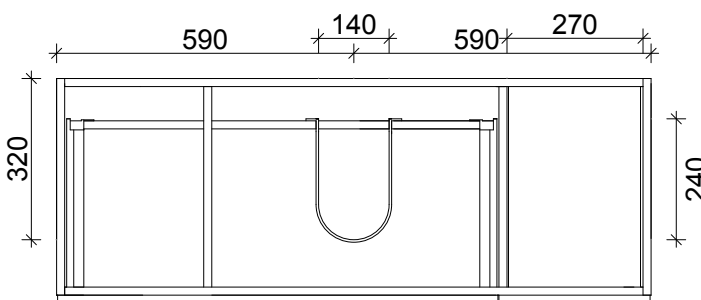
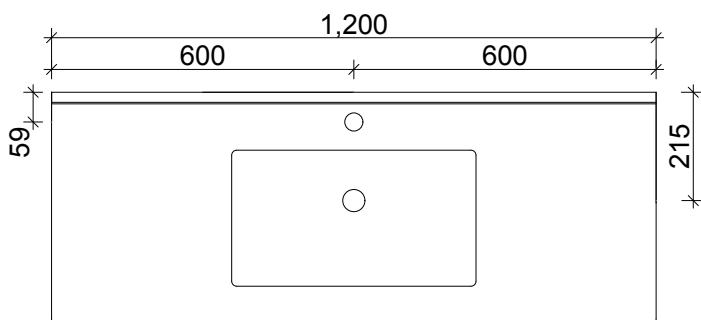
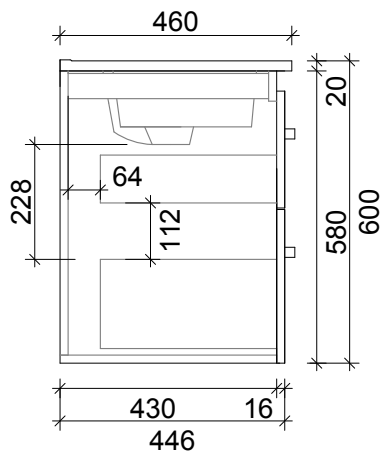
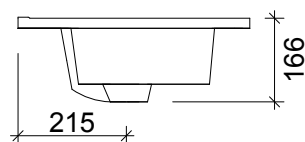
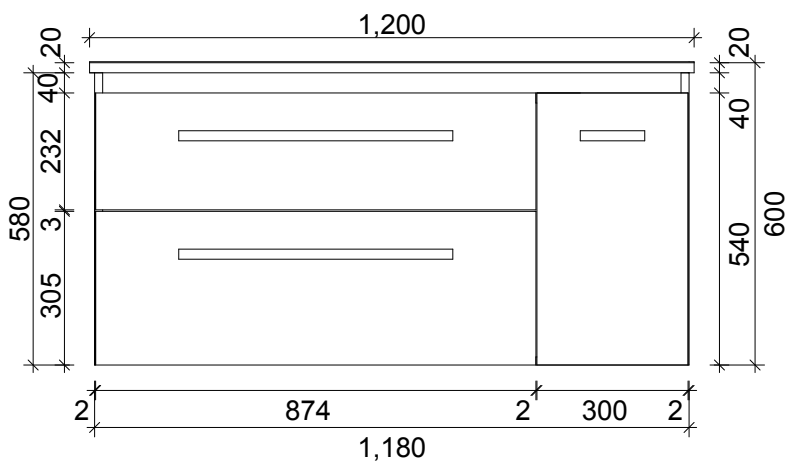


SPECIFICATION SHEET

PINTO 1200 2 DRAW 1 DOOR WALL HUNG RIGHT HAND



DRAWER WASTE CUT OUT



PRIMO BATHROOMWARE

3 EDISON PLACE

(03) 384-2471

EMAIL: sales@primobathroomware.co.nz