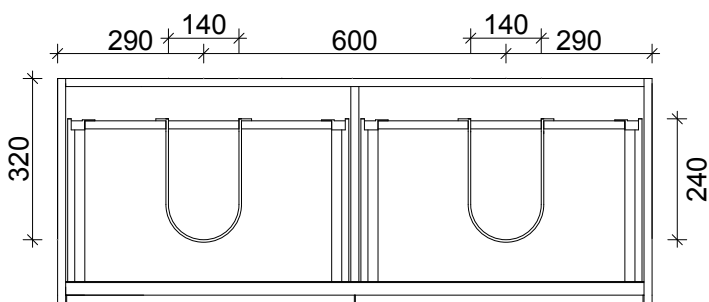
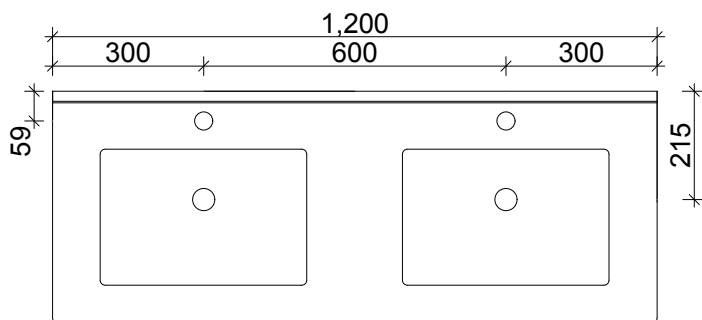
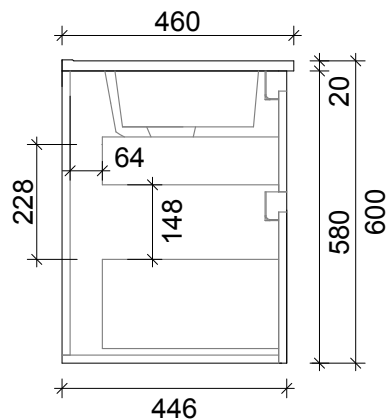
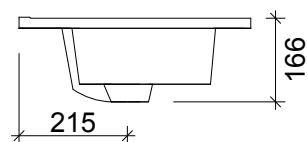
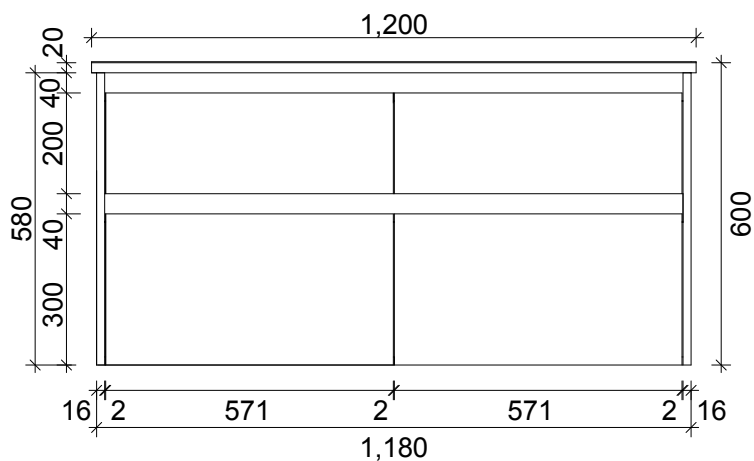


**SPECIFICATION SHEET**  
**PINTO 1200 4 DRAW WALL HUNG DOUBLE BASIN**  
**CAPRI J HANDLES**



DRAWER WASTE CUT OUT



**PRIMO BATHROOMWARE**  
 3 EDISON PLACE  
 (03) 384-2471  
 EMAIL: sales@primobathroomware.co.nz