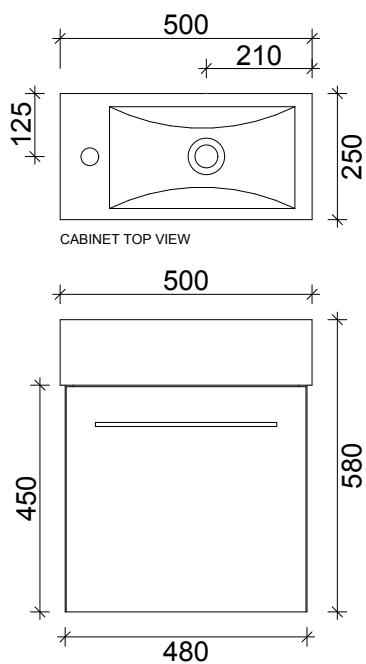
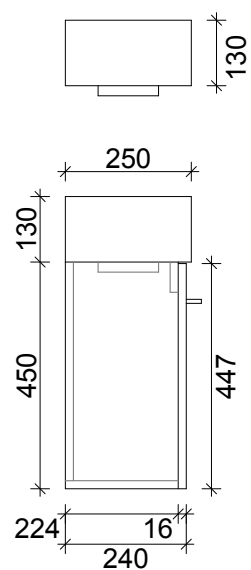


SPECIFICATION SHEET
PINTO 500 1 DOOR WALL HUNG



CABINET TOP VIEW



PRIMO BATHROOMWARE
3 EDISON PLACE
(03) 384-2471
EMAIL: sales@primobathroomware.co.nz