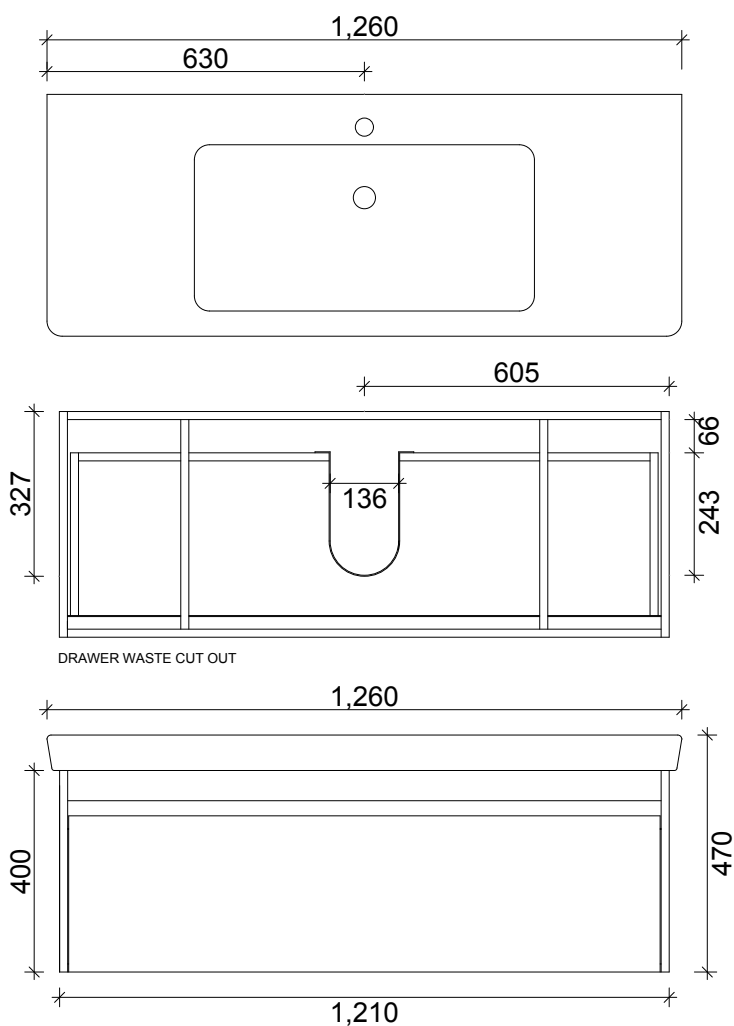
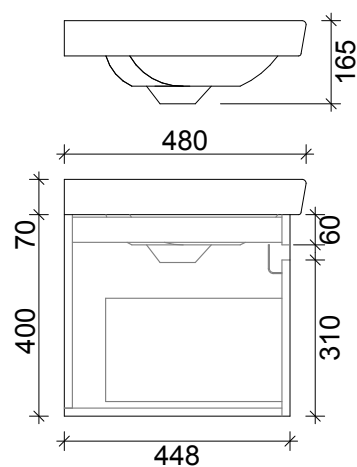


SPECIFICATION SHEET
SAIL 1250 1 DRAW WALL HUNG CAPRI J HANDLE



DRAWER WASTE CUT OUT



PRIMO BATHROOMWARE
3 EDISON PLACE
(03) 384-2471
EMAIL: sales@primobathroomware.co.nz