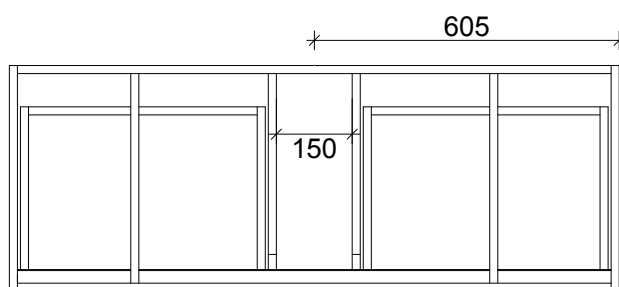
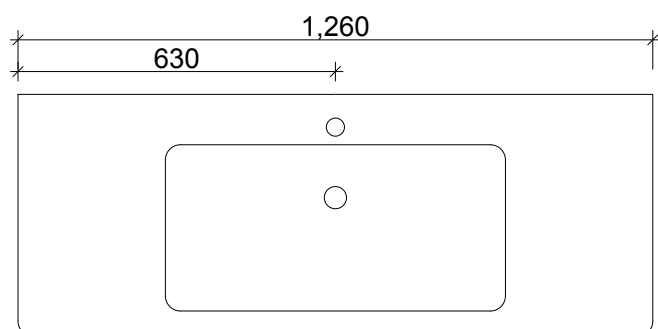
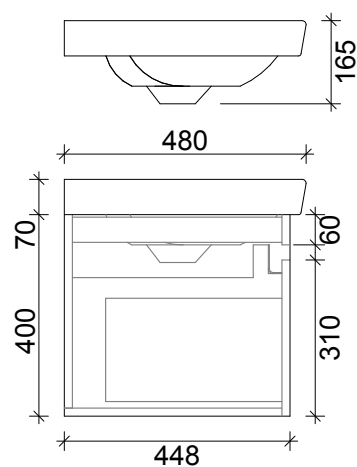
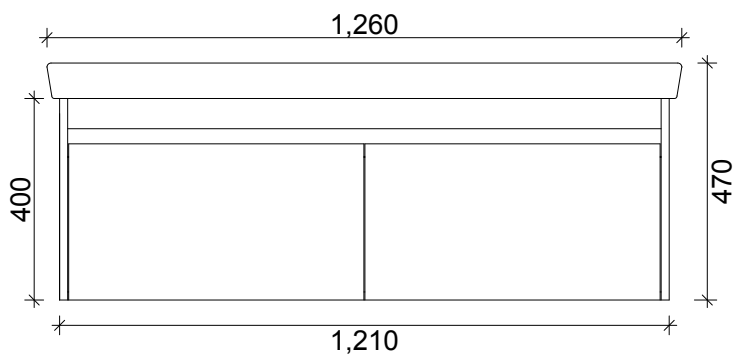


SPECIFICATION SHEET

SAIL 1250 2 DRAW SIDE BY SIDE WALL HUNG
CAPRI J HANDLES



CABINET TOP VIEW



PRIMO BATHROOMWARE

3 EDISON PLACE

(03) 384-2471

EMAIL: sales@primobathroomware.co.nz