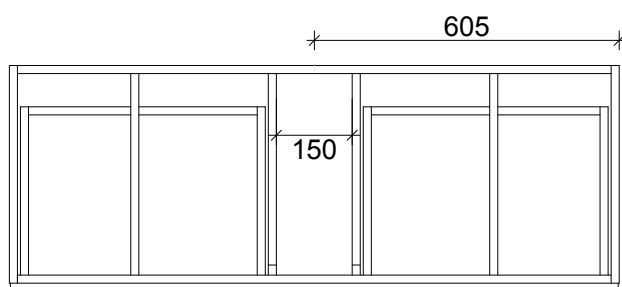
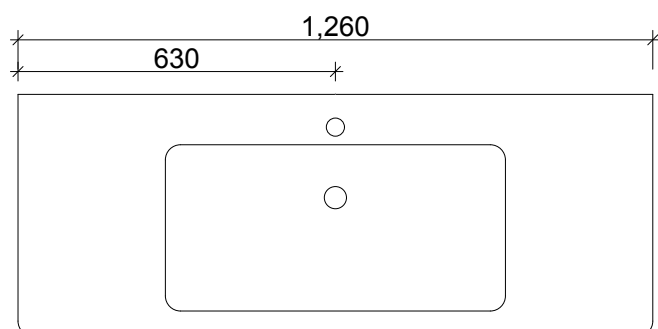
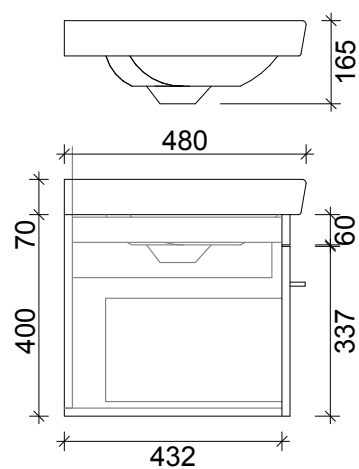
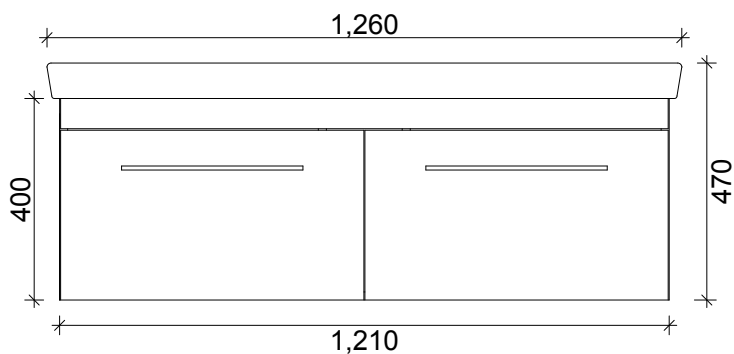


SPECIFICATION SHEET
SAIL 1250 2 DRAW SIDE BY SIDE WALL HUNG



CABINET TOP VIEW



PRIMO BATHROOMWARE
3 EDISON PLACE
(03) 384-2471
EMAIL: sales@primobathroomware.co.nz