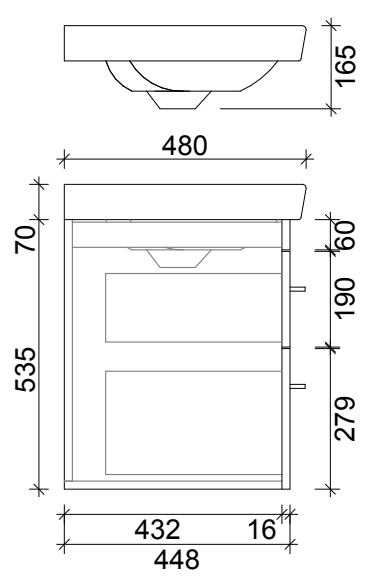
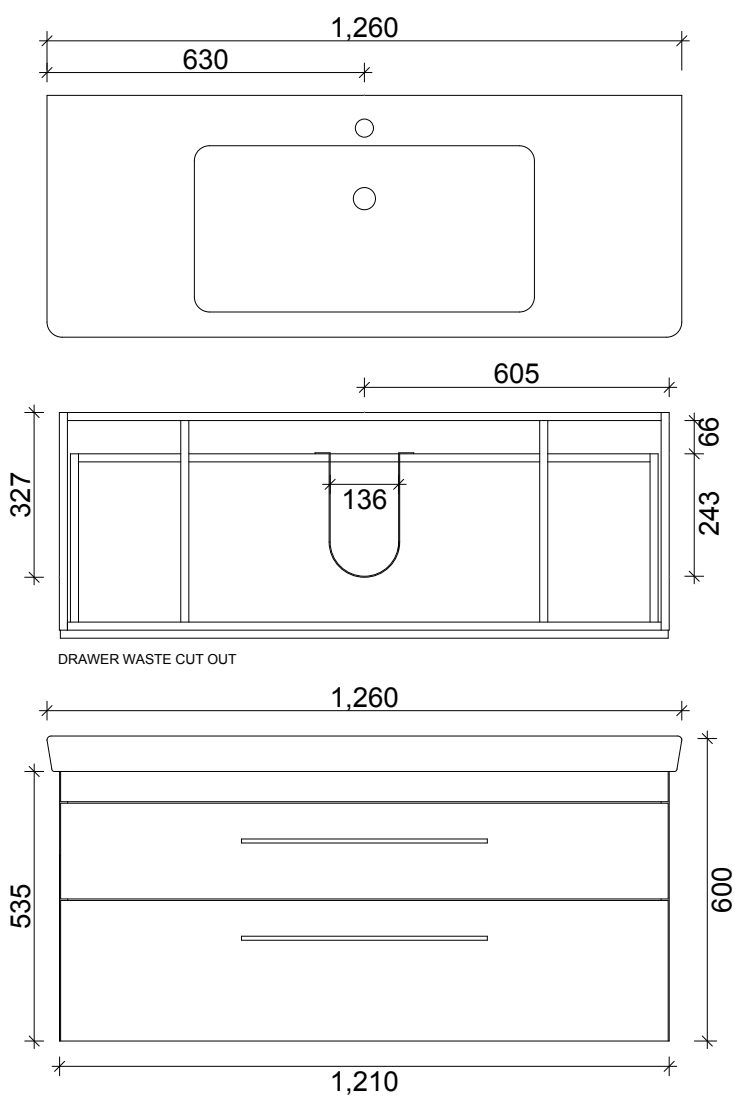


SPECIFICATION SHEET

SAIL 1250 2 DRAW WALL HUNG



PRIMO BATHROOMWARE
3 EDISON PLACE
(03) 384-2471
EMAIL: sales@primobathroomware.co.nz