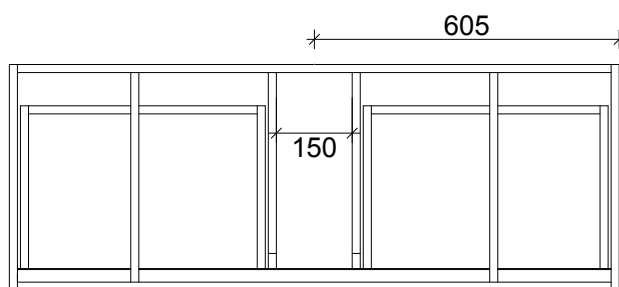
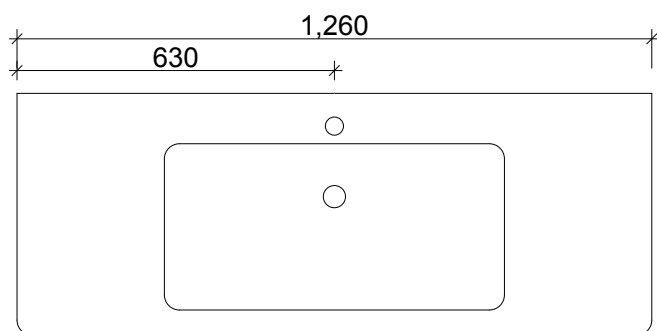
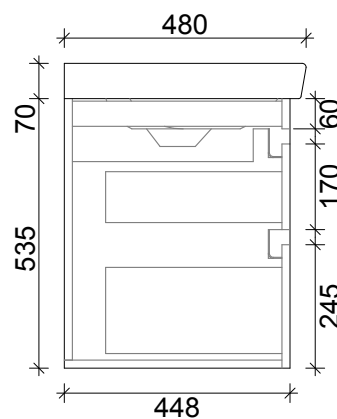
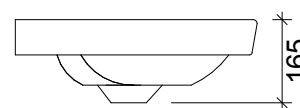
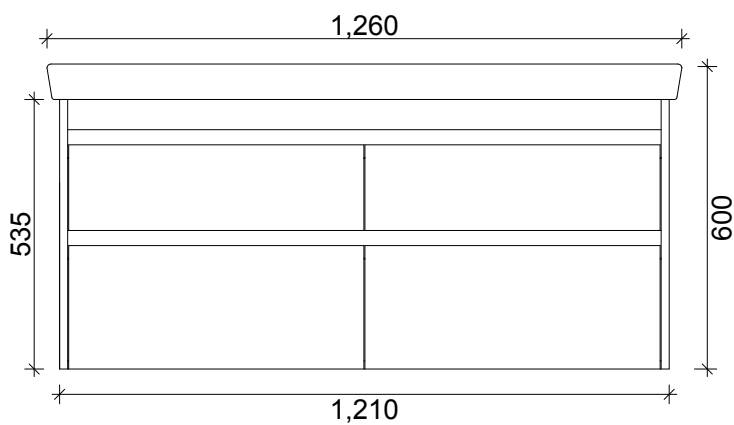


# SPECIFICATION SHEET

SAIL 1250 4 DRAW WALL HUNG CAPRI J HANDLES



CABINET TOP VIEW



**PRIMO BATHROOMWARE**  
3 EDISON PLACE  
(03) 384-2471  
EMAIL: [sales@primobathroomware.co.nz](mailto:sales@primobathroomware.co.nz)