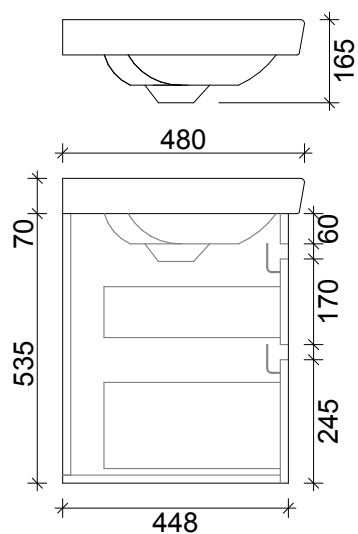
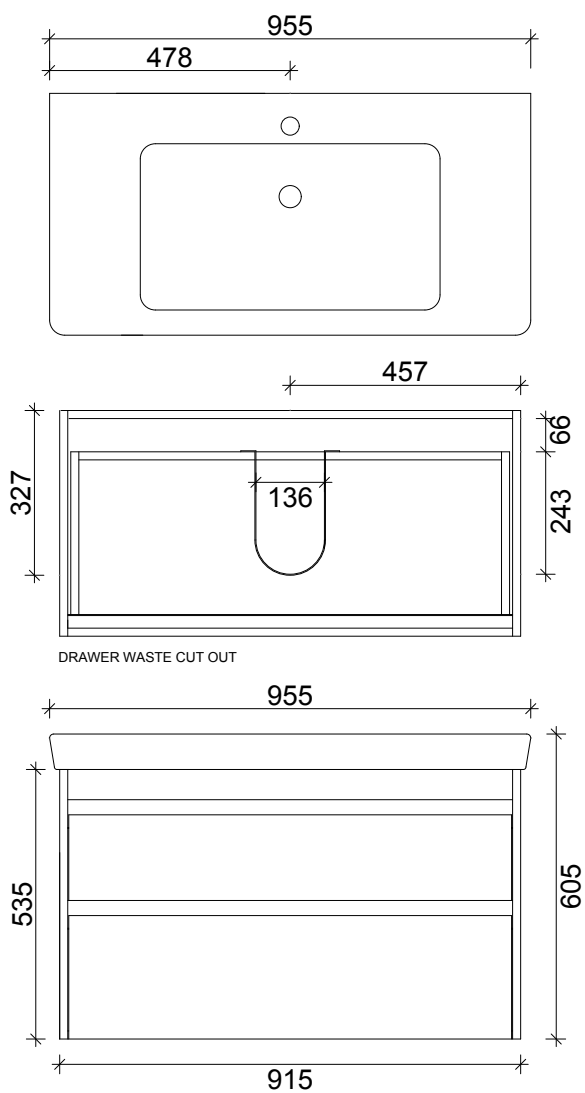


# SPECIFICATION SHEET

## SAIL 950 2 DRAW WALL HUNG CAPRI J HANDLES



**PRIMO BATHROOMWARE**  
3 EDISON PLACE  
(03) 384-2471  
EMAIL: [sales@primobathroomware.co.nz](mailto:sales@primobathroomware.co.nz)